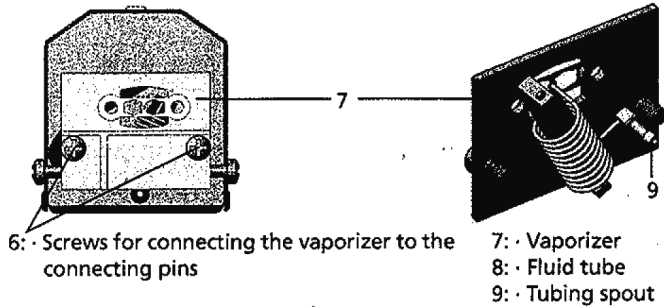
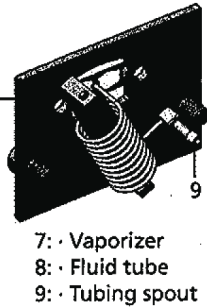


Changing and Calibrating the Vaporizer

TINY F07

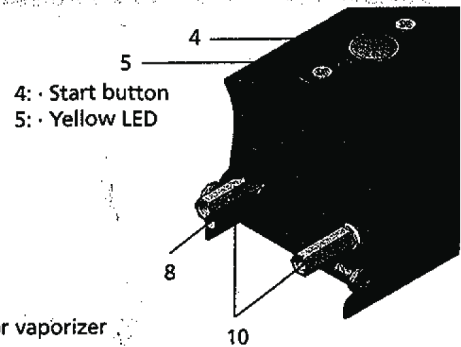


6: · Screws for connecting the vaporizer to the connecting pins



7: · Vaporizer
8: · Fluid tube
9: · Tubing spout

10: · Connecting pins for vaporizer



4: · Start button
5: · Yellow LED

8: · Fluid tube
10: · Connecting pins for vaporizer

1. Removal of the Vaporizer

- Separate the Tiny F07 from the battery-pack
- Unscrew the two screws with a suitable screwdriver to release the stainless steel hood
- Remove the stainless steel hood
- Unscrew the two screws [6] at the vaporizer with a suitable screwdriver
- Slide out the vaporizer [7] forwards
- Remove the black fluid tube [8] from tubing spout [9] of the vaporizer. If the tubing does not come off, you can pull on it with a pair of small pliers or a similar tool.
- Clean the interior of the unit with an absorbant, fluff-free cloth.

2. Installation of the Vaporizer

- Plug the black fluid tube [8] onto tubing spout [9] of the new vaporizer
- Mount the new vaporizer to the connecting pins [10] with the two screws [6]
- Check the connections and make sure that the fluid tubing is not twisted or bent
- Mount the stainless steel hood with the two screws at the machines cover. Ensure that the hood engages into the corresponding guide groove of the lid part.

3. Calibrating the Vaporizer

Since all vaporizers have different electrical qualities, the Tiny F07 must be recalibrated after every exchange of the vaporizer.

IMPORTANT: During the calibration process the vaporizer temperature must be at 20° C. Never start fogging before the calibrating process. Too cold or too warm units must first adapt to the room temperature (20° C).

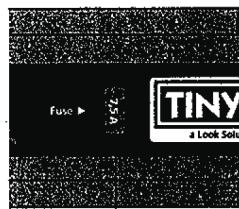
- Press and hold the start button in the machines lid [4].
- Connect the battery-pack to the machine simultaneously, then release the start button. The calibrating process now starts automatically. The yellow LED [5] flashes six times with a short pause after the second and the fourth flash to confirm the calibration.



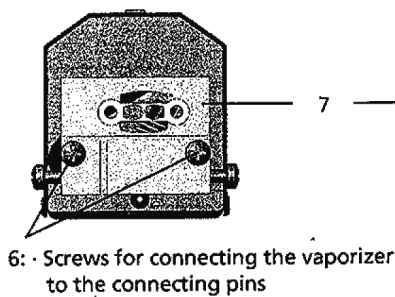
- The calibration process is now complete.

Changing and Calibrating the Vaporizer

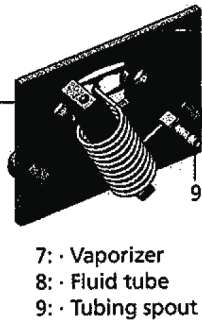
TINY C07



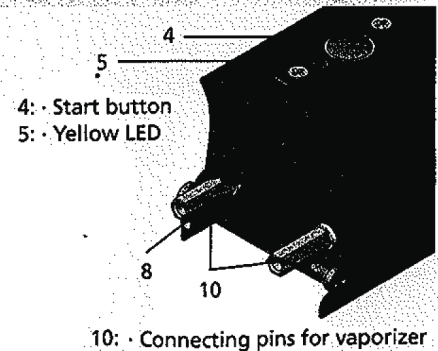
11: · Fuse



6: · Screws for connecting the vaporizer to the connecting pins



7: · Vaporizer
8: · Fluid tube
9: · Tubing spout



4: · Start button
5: · Yellow LED

8: · Fluid tube
10: · Connecting pins for vaporizer

1. Removal of the Vaporizer

- Put out the fuse [11], placed at the side of the Tiny C07, with a suitable tool
- Unscrew the four screws with a suitable screwdriver to release the stainless steel hood
- Remove the stainless steel hood
- Unscrew the two screws [6] at the vaporizer with a suitable screwdriver
- Slide out the vaporizer [7] forwards
- Remove the black fluid tube [8] from tubing spout [9] of the vaporizer. If the tubing does not come off, you can pull on it with a pair of small pliers or a similar tool.
- Clean the interior of the unit with an absorbant, fluff-free cloth.

2. Installation of the Vaporizer

- Plug the black fluid tube [8] onto tubing spout [9] of the new vaporizer
- Mount the new vaporizer to the connecting pins [10] with the two screws [6]
- Check the connections and make sure that the fluid tubing is not twisted or bent
- Mount the stainless steel hood with the four screws at the machines cover. Ensure that the hood engages into the corresponding guide groove of the lid part.

3. Calibrating the Vaporizer

Since all vaporizers have different electrical qualities, the Tiny C07 must be recalibrated after every exchange of the vaporizer.

IMPORTANT: During the calibration process the vaporizer temperature must be at 20° C. Never start fogging before the calibrating process. Too cold or too warm units must first adapt to the room temperature (20° C).

- Press and hold the start button in the machines lid [4].
- Connect the fuse [11] to the machine simultaneously, then release the start button. The calibrating process now starts automatically. The yellow LED [5] flashes six times with a short pause after the second and the fourth flash to confirm the calibration.



- The calibration process is now complete.